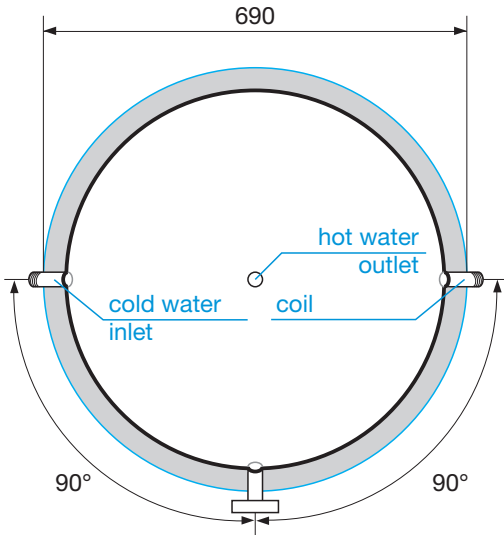


Heat recovery

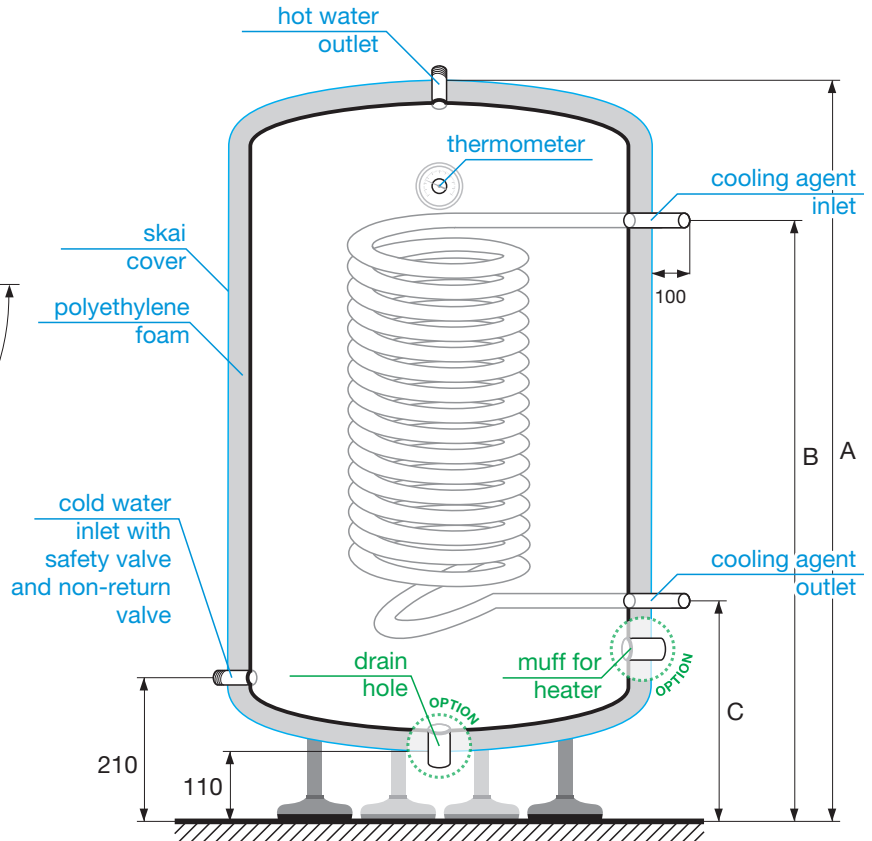
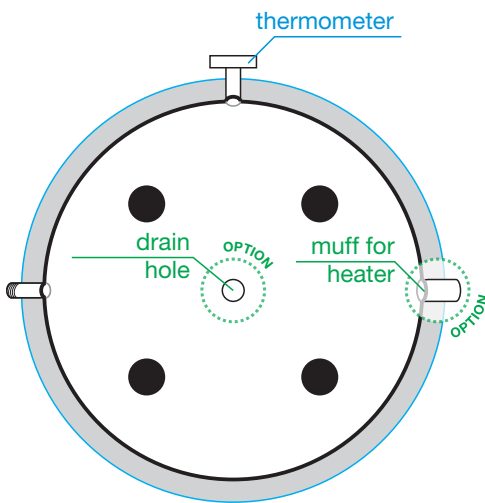
400 - 800L TYPE BLUE



view from the top



view from the bottom



type/cap. [L]	size [mm]			diameter of the coil [mm]	coil performance	weight [kg]
	A	B	C			
NDA-400	1480	1090	320	ø22	0,41	72
NDA-500	1800	1400	320	ø22	0,41	90
NDA-600	2130	1500	320	ø22	0,41	96
NDA-700	2450	1700	320	ø22	0,41	102
NDA-800	2770	1900	320	ø22	0,41	109

A - heat recovery height
 B - coil cooling agent inlet height
 C - coil cooling agent outlet height

Equipment:

- thermometer

Options:

- safety valve + non-return-valve
- electric heater made of stainless steel with a thermostat
- hanger and fixing
- drain hole 1 1/2"
- muff for heater 1 1/2"

Specifications:

Material of outer sheath and coil
 Max operating pressure
 Max temperature of the water
 Cold water inlet connector
 Hot water outlet connector
 Safety valve connector

stainless steel type 1,4301; 1,4404
 6 bar
 90 °C
 1"
 1"
 1/2"

External Enclosure
 Insulation

esthetical skai cover
 polyethylene foam,
 - thickness 30mm

