

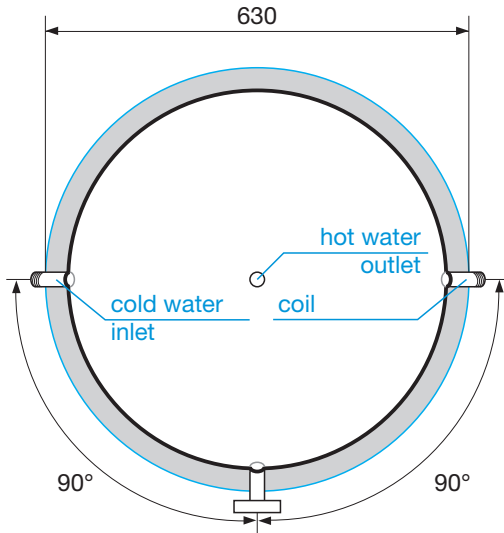
# Heat recovery

200 - 600L TYPE BLUE 2Wø630

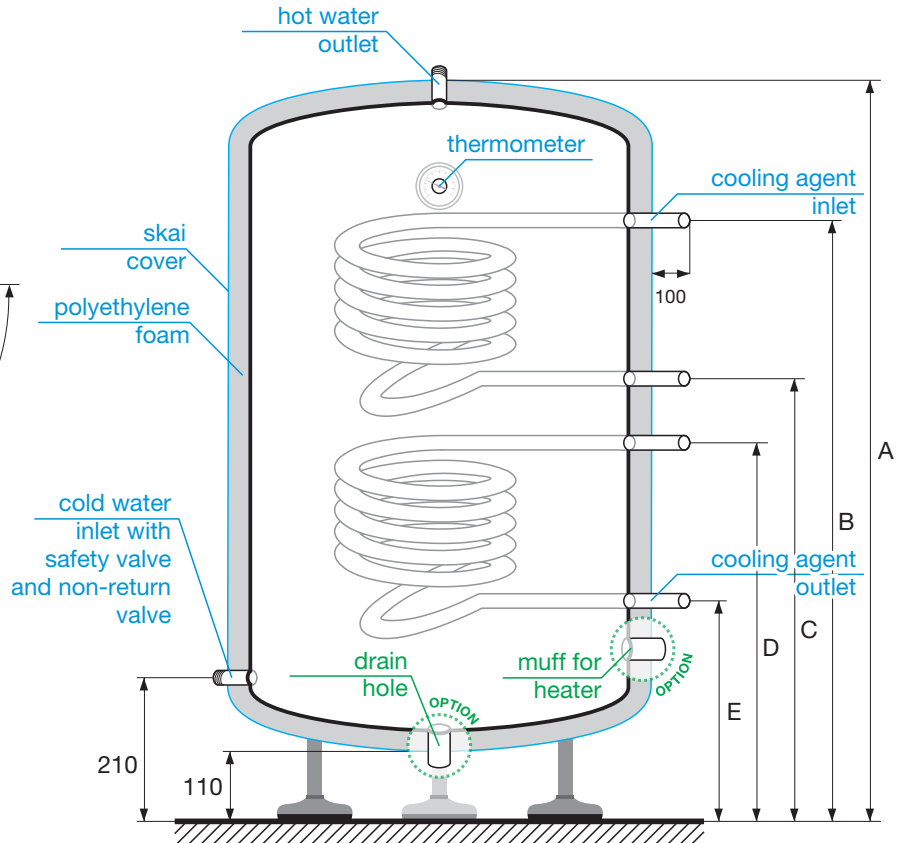
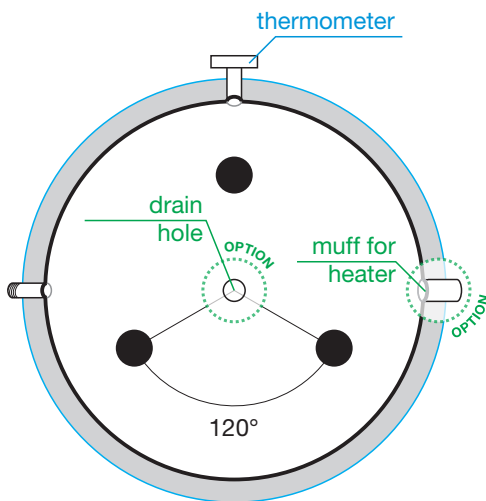


# Margo

## view from the top



## view from the bottom



type/cap. [L]	size [mm]					diameter of the coil [mm]	coil performance	weight [kg]
	A	B	C	D	E			
ND-200	1000	820	550	470	230	ø16	0,60	45
ND-250	1190	1200	720	540	230	ø16	0,60	50
ND-320	1490	1310	860	690	230	ø16	0,60	60
ND-400	1800	1490	940	790	230	ø16	0,60	78
ND-500	2200	1800	1300	900	230	ø22	0,82	98
ND-600	2600	2300	1800	1100	230	ø22	0,82	108

- A - heat recovery height
- B - top coil cooling agent inlet height
- C - top coil cooling agent outlet height
- D - bottom coil cooling agent inlet height
- E - bottom coil cooling agent outlet height

### Equipment:

- thermometer

### Options:

- safety valve + non-return-valve
- electric heater made of stainless steel with a thermostat
- hanger and fixing
- drain hole 1 1/2"
- muff for heater 1 1/2"

### Specifications:

- Material of outer sheath and coil
- Max operating pressure
- Max temperature of the water
- Cold water inlet connector
- Hot water outlet connector
- Safety valve connector

stainless steel type 1,4301; 1,4404  
6 bar  
90 °C  
1/2"  
1/2" up to 320l, 1" over  
1/2"

- External Enclosure
- Insulation

esthetical skai cover  
polyethylene foam,  
- thickness 30mm



# Margo

[www.schladzalniki.pl](http://www.schladzalniki.pl)

ul. Składowa 2 | 07-410 Ostrołęka | tel. 29 769 09 89 | e-mail: biuro@schludzalniki.pl