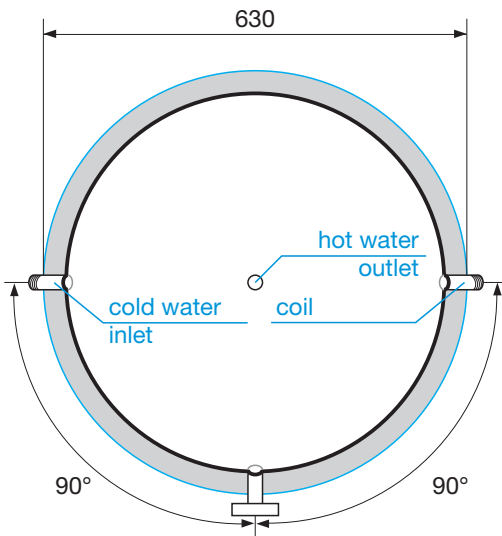


Heat recovery

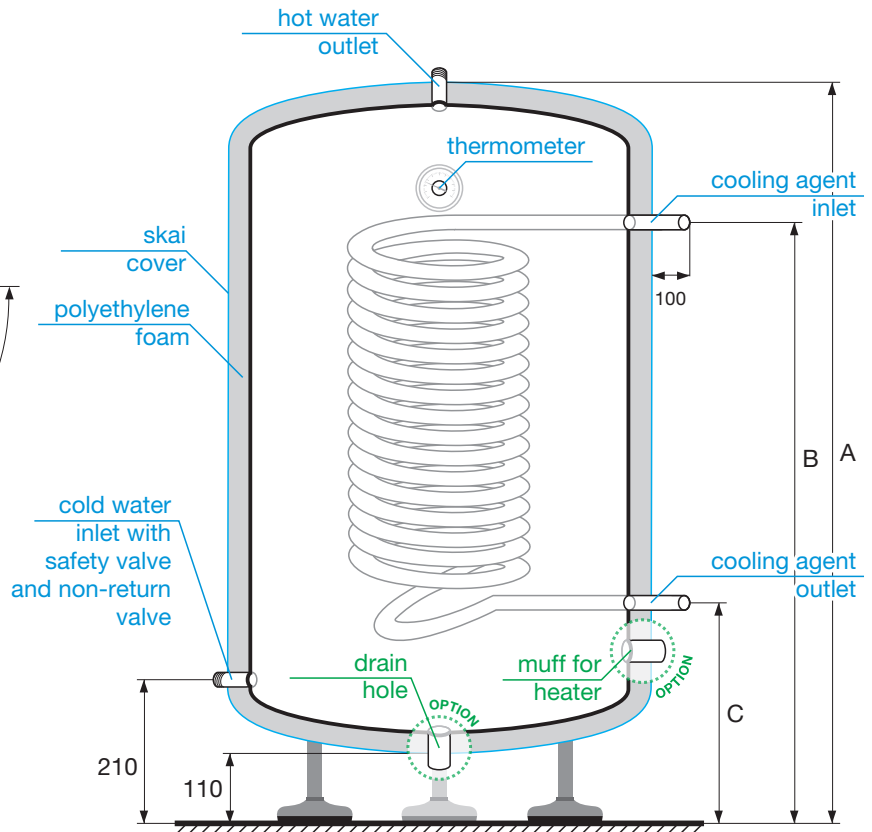
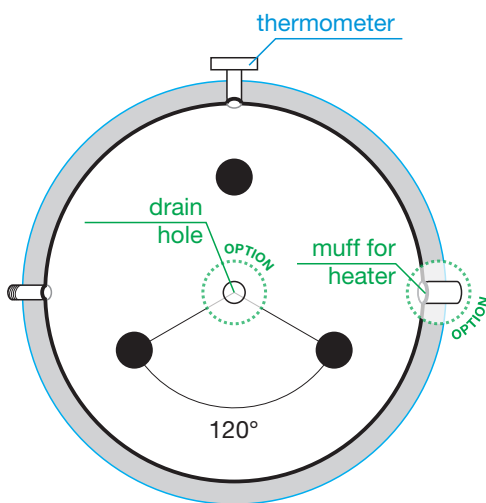
160 - 600L TYPE BLUE



view from the top



view from the bottom



type/capacity [L]	size [mm]			diameter of the coil [mm]	coil performance	weight [kg]
	A	B	C			
ND-160	850	430	230	ø16	0,30	35
ND-200	1000	800	230	ø16	0,30	40
ND-250	1190	940	230	ø16	0,30	46
ND-320	1490	1150	330	ø16	0,30	54
ND-400	1800	1140	330	ø22	0,41	72
ND-500	2200	1500	330	ø22	0,41	90
ND-600	2600	2100	330	ø22	0,41	100

A - heat recovery height
 B - coil cooling agent inlet height
 C - coil cooling agent outlet height

Equipment:

- thermometer

Options:

- safety valve + non-return-valve
- electric heater made of stainless steel with a thermostat
- hanger and fixing
- drain hole 1 1/2"
- muff for heater 1 1/2"

Specifications:

Material of outer sheath and coil
 Max operating pressure
 Max temperature of the water
 Cold water inlet connector
 Hot water outlet connector
 Safety valve connector

stainless steel type 1,4301; 1,4404
 6 bar
 90 °C
 1/2" up to 320l, 1" over
 1/2" up to 320l, 1" over
 1/2"

External Enclosure
 Insulation

esthetical skai cover
 polyethylene foam,
 - thickness 30mm



www.schladzalniki.pl

ul. Składowa 2 | 07-410 Ostrołęka | tel. 29 769 09 89 | e-mail: biuro@schladzalniki.pl